

A woman with blonde hair styled in an updo, wearing a dark blue dress with large, vibrant floral prints in shades of purple, pink, and teal. She is looking directly at the camera with a serious expression. The background is a dynamic, abstract composition of bright blue and red light streaks radiating from the right side, creating a sense of motion and energy.

efi

Reggiani BLAZE

Digital Printer for Direct Printing on Fabric

Blaze your
own trail

Don't follow the path. Blaze your own trail

The EFI™ Reggiani BLAZE printer is the easy-to-use, smart solution for taking your first steps into the world of industrial digital textile printing.

The BLAZE printer is equipped with EFI Reggiani's state-of-the-art technology, guaranteeing quality and reliability. And with extreme flexibility on the widest variety of designs, it satisfies an extensive array of small-scale customer needs.

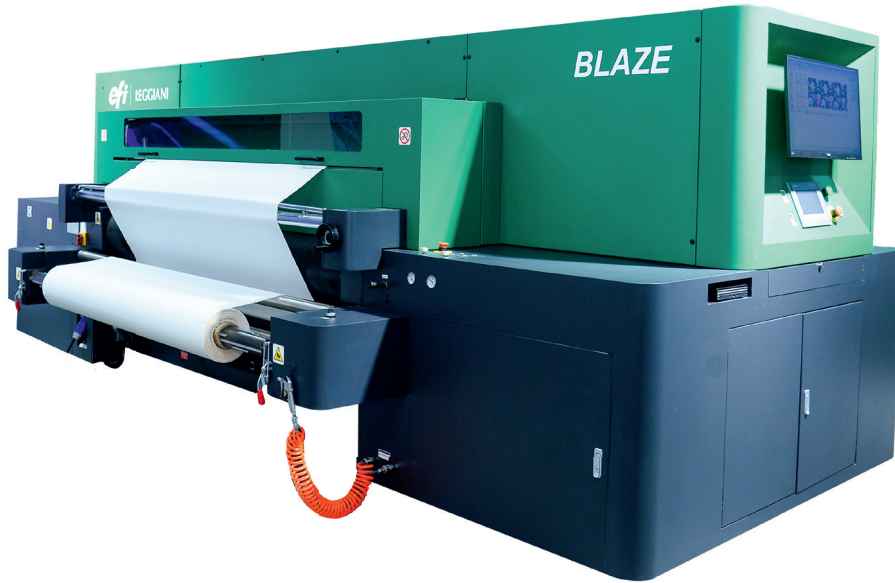
At a glance

- Easy and smart solution to step into the industrial textile segment
- Ideal for both production and sampling
- Compact footprint
- Ink recirculation system for superior reliability and minimum maintenance at start up and during production
- Maximum flexibility on the widest variety of designs
- Smooth and precise material handling of knitted and woven fabrics
- Superior print head reliability and low maintenance costs for competitive TCO
- Optimised ink performance with EFI Reggiani inks

APPLICATIONS	
Apparel and accessories	✓
Home textile	✓
Sportswear and footwear	✓

INKS	
Reactive	✓
Acid	✓
Disperse direct	✓
Disperse sublimation	✓
Pigment	✓

SUBSTRATES	
Cotton	✓
Polyester	✓
Polyamide	✓
Silk	✓
Viscose	✓
Polyester and elastane	✓
Polyamide and elastane	✓
Blends	✓



Print heads and ink system

- Up to 8 colours
- 8 print heads, 300 dpi, dual channel
- Full variable drop size
- Printing resolution up to 600 x 1200 dpi
- Continuous ink recirculation system equipped with level sensor and degasser
- Ink management: continuous in-line degassing and filtering
- Print head crash protective system

Printing carriage

- Linear motors and optical encoder to ensure precise and seamless print head motion
- Enhanced carriage layout for easy access and maintenance

Fabric handling

- Teflon-coated gluing roll synchronised with printer feeding system
- Adhesive application with heat glue activation
- Possibility to use thermoplastic, resin and permanent adhesives
- Continuous and switchable belt washing unit

Electronics and software

- User friendly, intuitive interface
- Real-time image processing: no image pre-calculation
- High uniformity printing modes
- Flexible queue management
- Job editor: what you see is what you get at each and every moment
- Printing speed and ink usage prediction
- Complete reporting and diagnostic features
- Software open to main RIP vendors

BLAZE			
Resolution	Pass	LM/H	SQM/H
600x300	1	240	360
600x600	2	125	190
600x900	3	85	130
600x1200	4	60	95

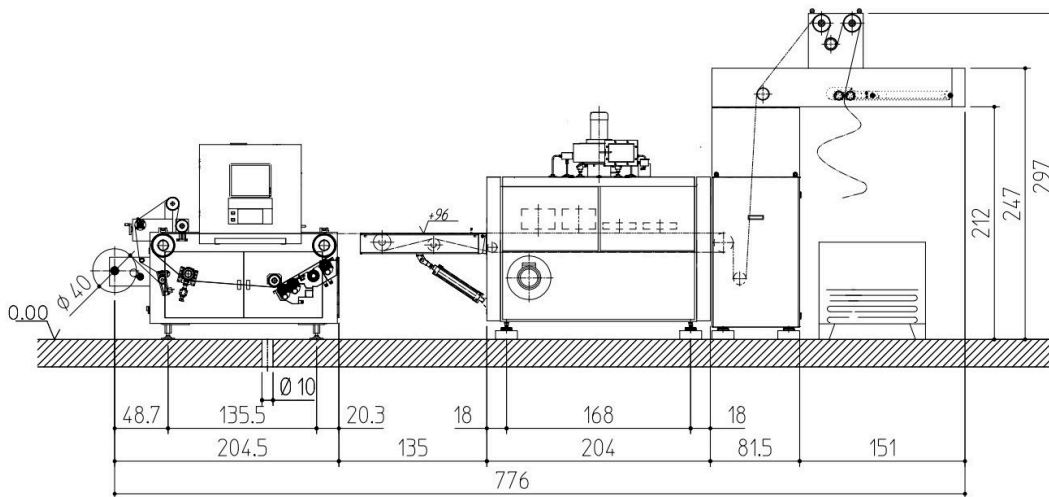


*Further colour configurations available.

SPECIFICATIONS

Printing width	180 cm
Production speed	125 lm/h
Print heads	8
Printing resolution	up to 600 x 1200 dpi
Fabric weight	from 30 to 350 gr/sqm (woven and knitted)
Fabric feed (Entry)	Roll unwinder up to \varnothing 400 mm
Fabric take-up (Exit)	Oscillating brace for fold Roll winder up to \varnothing 400 mm Fold and roll winder up to \varnothing 400 mm (optional)
Dryer	Symmetric ventilation and high efficiency exhaust capacity Heating sources available: gas, electricity, oil and steam

EFI Reggiani BLAZE: regulatory model BLAZE



Let's be brilliant. Together.

We understand you want breakthrough technologies to lead you through your digital journey. That's why we're passionate about driving your business growth with a scalable portfolio of products, solutions, services, support, and world-class partnerships for the manufacturing of signage, packaging, textiles, ceramic tiles, and building materials with a wide range of printers and inks. Our unwavering commitment is to increase your profits, cut costs, improve productivity, and optimise efficiency — job after job, year after year. We're obsessed with your success. And we definitely believe we have the right people, technology and experience to help your business achieve its goals. Visit www.efi.com/reggiani or call +39 035 3844511 for more information..



Nothing herein should be construed as a warranty in addition to the express warranty statement provided with EFI products and services.

AutoCal, Best Eye, ColorGuard, ColorPASS, ColorRight, ColorWise, Command WorkStation, Cretachrom, Cretaprint, the Cretaprint logo, Cretaprinter, Cretaroller, Divisional Graphics, Distancing Graphics, DocBuilder, Dynamic Wedge, EDOX, EFI, the EFI logo, Electronics For Imaging, FabriVU, Fast-4, FASTRIP, FASTDRIVE, Fiery, the Fiery logo, Fiery Compose, Fiery Driven, the Fiery Driven logo, Fiery Edge, Fiery Essential, Fiery HyperRIP, Fiery Impose, Fiery Impress, Fiery ImageViewer, Fiery Intensify, Fiery JobExpert, Fiery JobFlow, Fiery JobMaster, Fiery Navigator, Fiery Prep-it, Fiery Prints, the Fiery Prints logo, Fiery TrueBrand, FreeForm, Inkintensity, Inkware, IQ, MicroPress, OneFlow, PressVu, PrintMe, the PrintMe logo, Prograph, ProGraphics, RIPChips, RIP-While-Print, SafeGuard Graphics, Spot-On, Spot Pro, UltraDrop, UltraPress, UltraTex, UltraVu, UV Series 50, VUTEK, the VUTEK logo, and WebTools are trademarks or registered trademarks of Electronics For Imaging, Inc. and/or its wholly owned subsidiaries in the U.S. and/or certain other countries.

All other terms and product names may be trademarks or registered trademarks of their respective owners and are hereby acknowledged.