



Reggiani **COLORS**

Digital Printer for Direct Printing
on Fabric and Paper

The spectacular **COLORS**
your creativity desires



Master of COLORS and technology

EFI™ Reggiani COLORS: the unparalleled textile printer from EFI Reggiani, will bring your creativity to the world in an explosion of color!

With up to 12 different colors in a row and 24 print heads, you can extend your color gamut and depth, increase penetration, and enhance printing quality and uniformity. Plus, the higher reliability and reduced maintenance of EFI Reggiani COLORS will ensure superior productivity with excellent printing results.

At a glance:

- **Up to 12 colors in a row**
 - Extended color gamut
 - Superior color depth
 - Enhanced printing quality and uniformity
 - Possibility to create your own color configuration with light, fluorescent and special colors
- **6 + 6 color configuration**
 - Superior productivity: can achieve same color depth at higher speed
 - Higher reliability thanks to print head redundancy
- **11 colors + chemistry**
 - Increased penetration
 - Superior fastness
- **Enhanced continuous ink recirculation system**
- **New printing software allowing real-time image processing**
- **Proprietary electronics**

Industry 4.0 friendly

Possible to install plug & play sensors and smart actuators for diagnostics and predictive maintenance

APPLICATIONS		SUBSTRATES	
Fashion	✓	Cotton	✓
Home textile	✓	Polyester	✓
Outdoor	✓	Polyamide	✓
Sportswear and footwear	✓	Silk	✓
INKS		Viscose	✓
Disperse direct	✓	Polyester and elastane	✓
Reactive	✓	Polyamide and elastane	✓
Acid	✓	Blends	✓
Disperse sublimation	✓	Wool	✓
Textile pigment	✓	Sublimation paper	✓

Applications

- 24 print heads with full variable drop size
- Ink management: in-line continuous degassing and filtering
- Print head crash protective system
- High-precision transportation belt
- Automatic substrate width detection, allowing image auto centering and margins set
- EFI Reggiani exclusive dynaplast roll compensating step vs continuous movement
- Fabric adhesion methods: thermoplastic, permanent, resin
- Embedded magnetic system for adhesive application
- Ink tanks refill on the fly without stopping the printer
- Print head electronics in a fully enclosed protection cap
- Belt washing with both continuous and stop-and-go capabilities with air blade included
- Integrated environmental sensor
- Ink system open to certified suppliers
- High uniformity printing modes
- Possibility to monitor and export all printing and printer data to an external DB or ERP
- Software open to main RIP vendors

Advantages

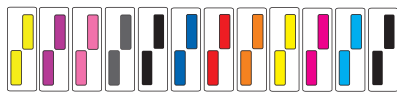
- Quick set up time and superior reliability
- Outstanding performance and extended uptime thanks to reduced maintenance needs
- Best handling and adhesion for the widest range of substrates
- Quick and tool-free print head alignment
- More environmental conditions tolerant
- Easy access to main printer modules
- Suitable for 24/7 operation
- One operator can manage multiple printers
- Multiple customizations available

Improvements

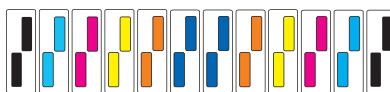
- Innovative and adaptive GUI with advanced queuing features
- Job editor: what you see you see is what you get in each and every moment
- Ink usage and speed prediction
- Flexible queue management
- Components with double CE and UL/CSA certification, guaranteeing high quality standards recognised worldwide



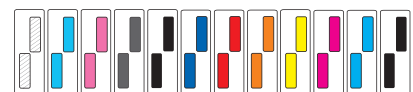
Several color combinations available (24 print heads, 12 each row):



12 colors



6 + 6 colors



11 colors + chemistry



Specifications

- Printing width 71-94-134 in (180-240-340 cm)
- Production speed up to 6,082 sqft/h (565 sqm/h)
- Print heads 24
- Drop size from 4 to 72 pL
- DPI up to 2400

Fabric configuration

- **Fabric weight from 30 to 450 gr/sqm**
- **Fabric feed (entry):**
 - small roll unwinder up to \varnothing 16 in (400 mm)
 - big roll unwinder (A frame) up to \varnothing 63 in (1,600 mm)
 - fold
- **Fabric take-up (exit):**
 - fold
 - small roll winder up to \varnothing 16 in (400 mm)
 - fold and small roll winder up to \varnothing 16 in (400 mm)
 - big roll winder (A frame) up to \varnothing 63 in (1,600 mm)
- **Dryer – one industrial chamber**

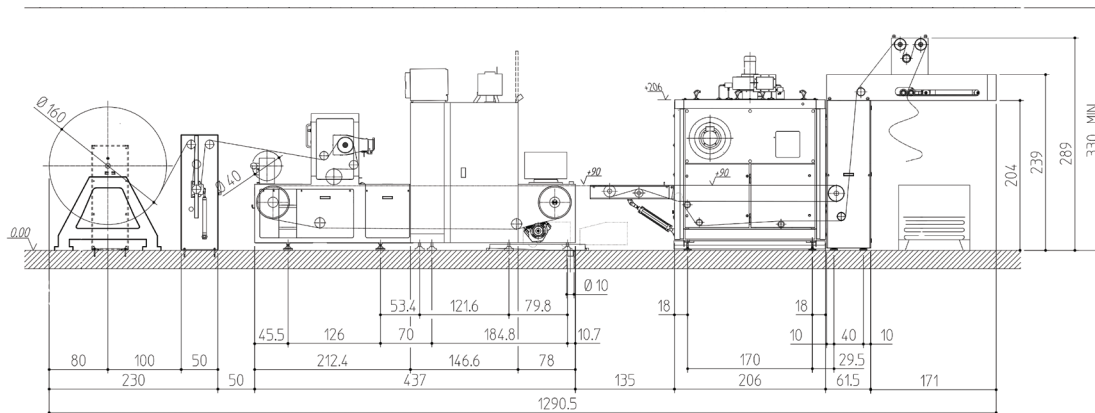
Paper configuration

- **Paper feed (Entry):**
 - standard roll unwinder up to \varnothing 16 in (400 mm)
 - jumbo roll unwinder up to \varnothing 35 in (900 mm)
- **Paper take-up (Exit):**
 - jumbo roll winder up to \varnothing 35 in (900 mm)
 - revolving winder turret (2 rolls up to \varnothing 14 in/350 mm)
- **Dryer – one industrial chamber**

EFI Reggiani COLORS: regulatory model ReNOIR 180, ReNOIR 240, ReNOIR 340

EFI REGGIANI COLORS 12 COLORS CONFIGURATION*			
RESOLUTION	PASS	LFT/H (LM/H)	SQFT/H (SQM/H)
600 x 300	1	1,230 (375)	6,082 (565)
600 x 600	2	640 (195)	3,175 (295)
600 x 900	3	410 (125)	2,045 (190)
600 x 1200	4	312 (95)	1,561 (145)

* 6+6 configuration: double ink laydown at same speed



Let's be brilliant. Together.

We understand you want breakthrough technologies to lead you through your digital journey. That's why we're passionate about driving your business growth with a scalable portfolio of products, solutions, services, support, and world-class partnerships for the manufacturing of signage, packaging, textiles, ceramic tiles, and building materials with a wide range of printers and inks. Our unwavering commitment is to increase your profits, cut costs, improve productivity, and optimize efficiency — job after job, year after year. We're obsessed with your success. And we definitely believe we have the right people, technology and experience to help your business achieve its goals. Visit www.efi.com/reggiani or send an email to info@efi.com for more information.



Nothing herein should be construed as a warranty in addition to the express warranty statement provided with EFI products and services.

BDR, Cretachrom, Cretaprint, the Cretaprint logo, Cretaprinter, Cretaroller, Divisional Graphics, Distancing Graphics, EFI, the EFI logo, Electronics For Imaging, FabriVU, Fast-4, Inèdit, Inkintensity, Inkware, neoCatalog, neoStampa, neoTextil, PressVu, ProGraphics, Rialco, Riaplas, SDC, SafeGuard Graphics, UltraDrop, UltraPress, UltraTex, UltraVu, UV Series 50, VUTEK, and the VUTEK logo are trademarks or registered trademarks of Electronics For Imaging, Inc. and/or its wholly owned subsidiaries in the U.S. and/or certain other countries.

All other terms and product names may be trademarks or registered trademarks of their respective owners and are hereby acknowledged.